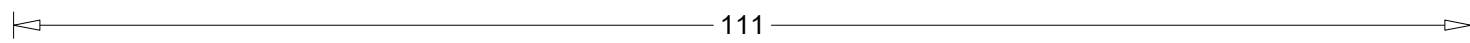
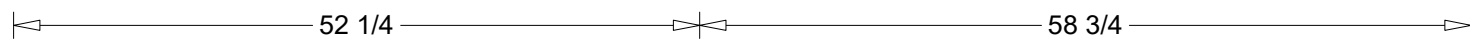
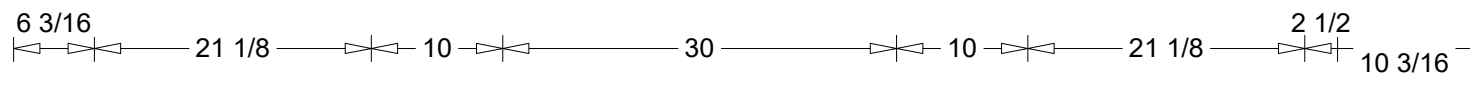
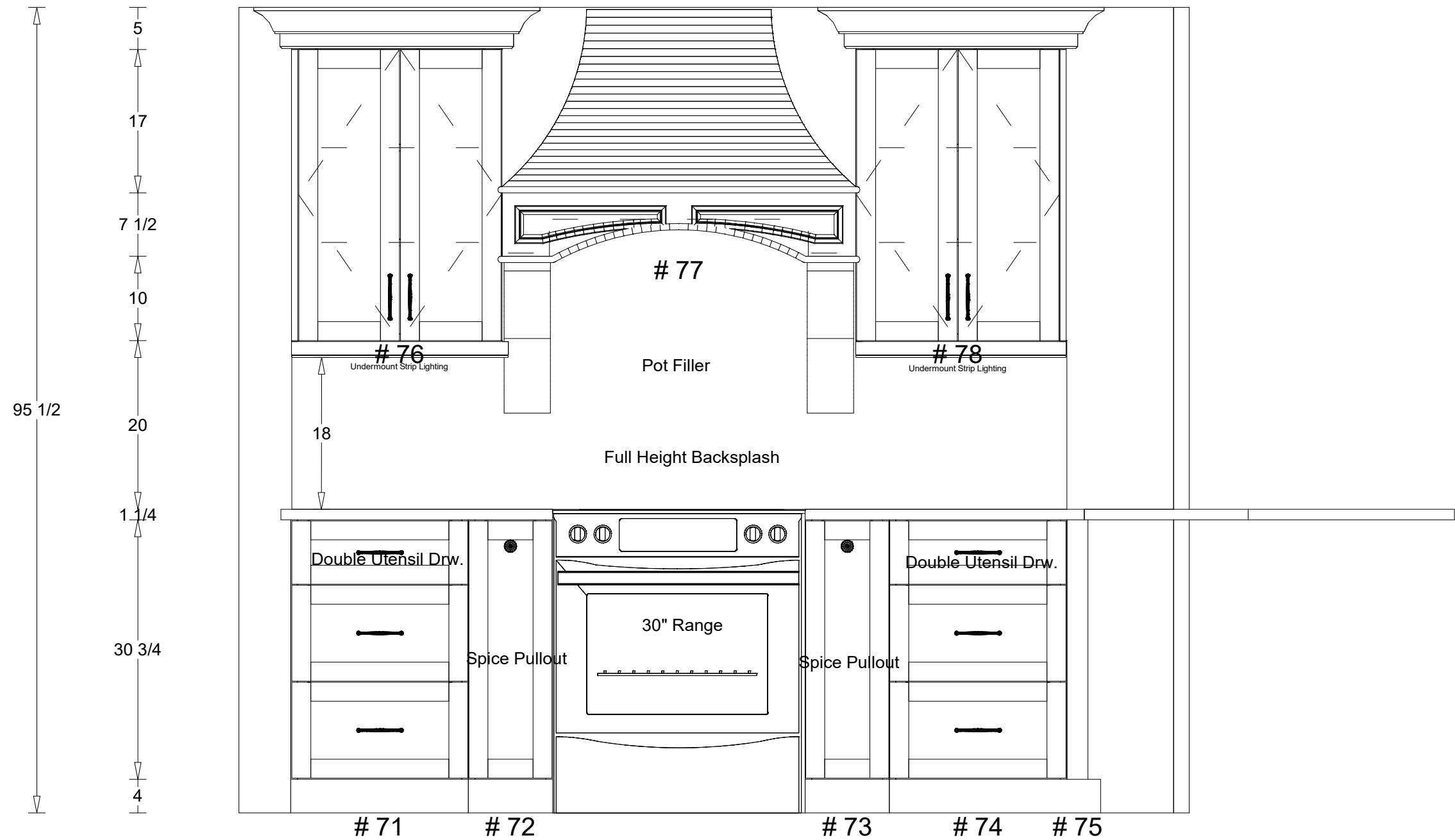
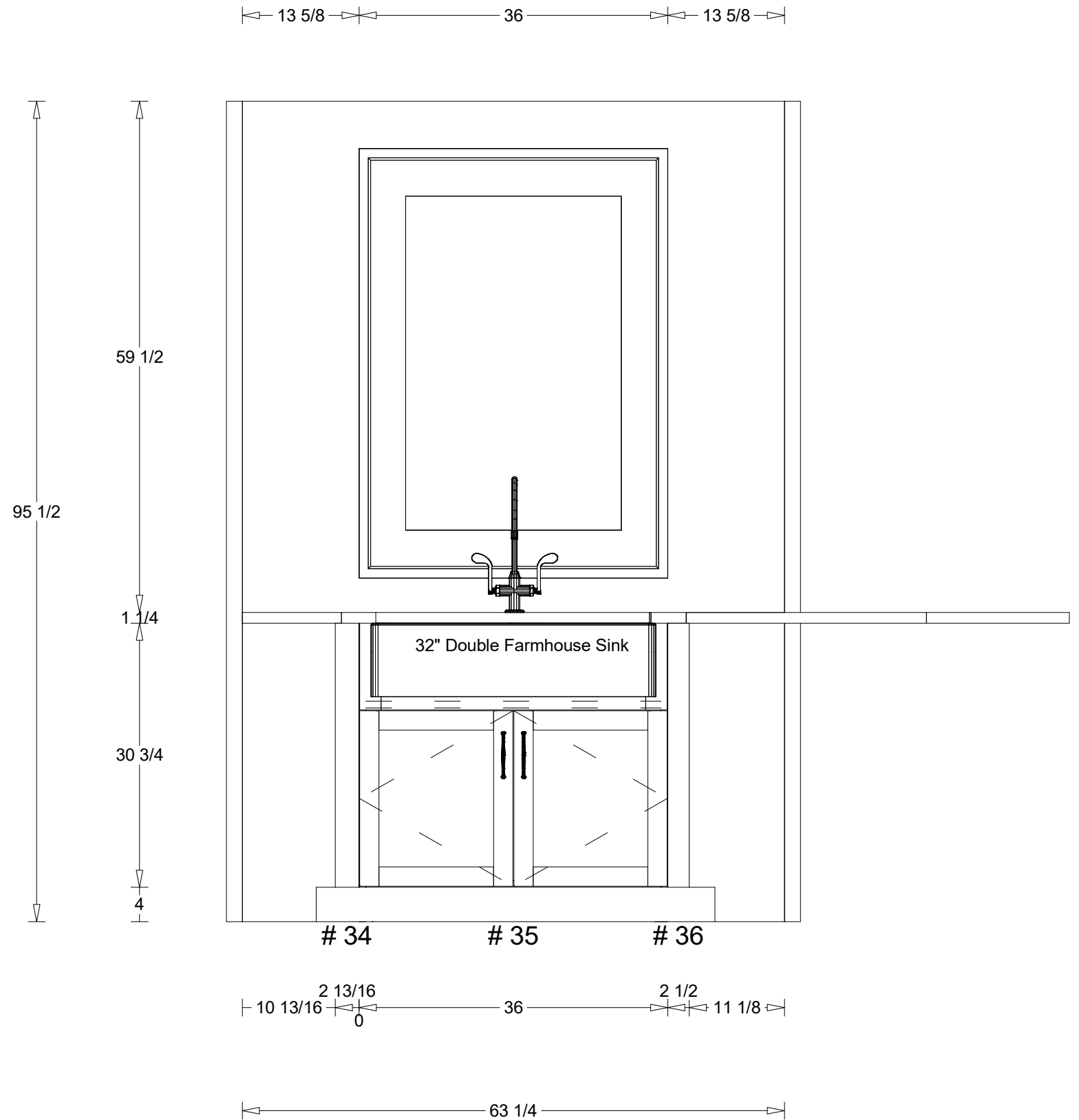
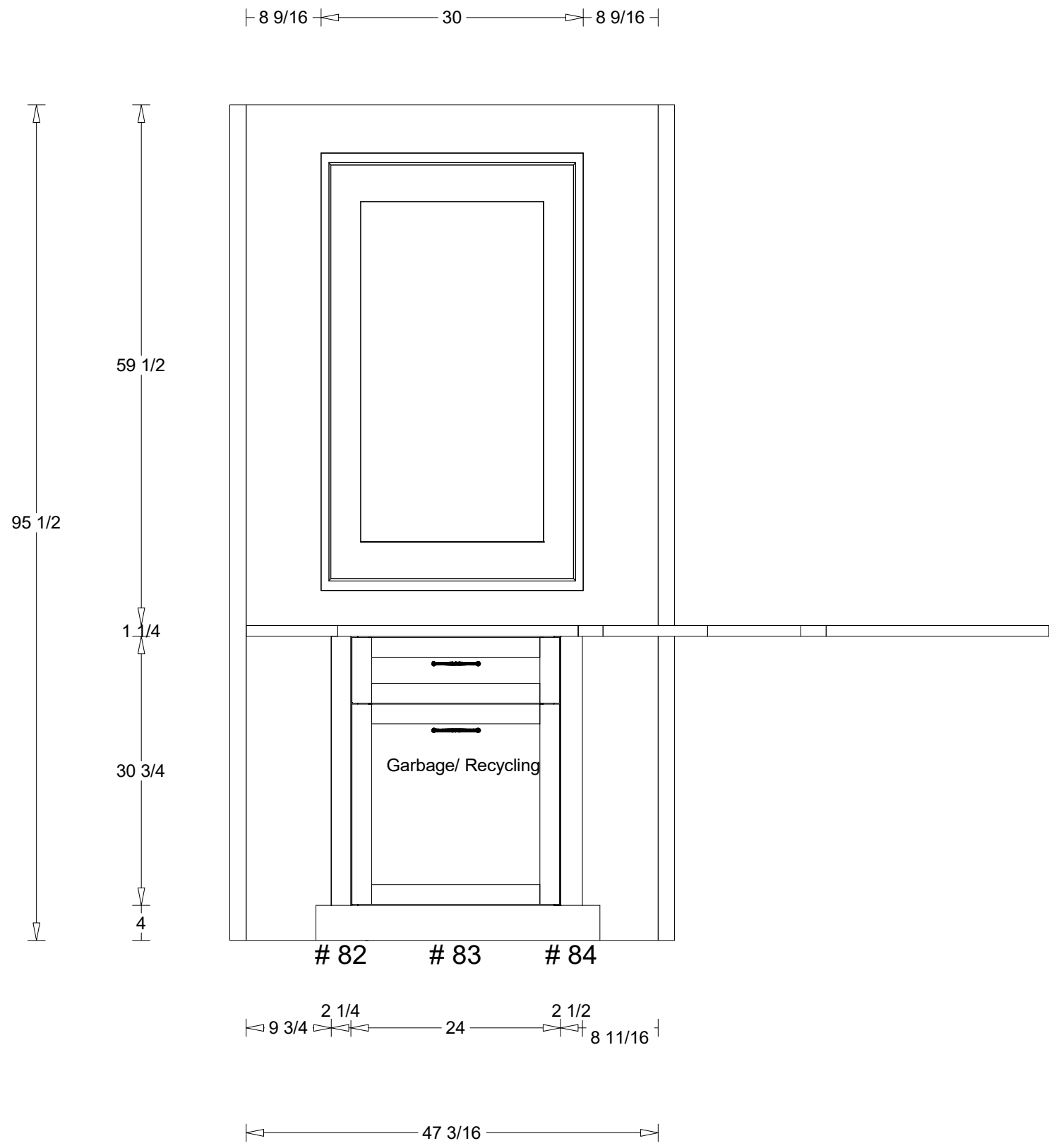
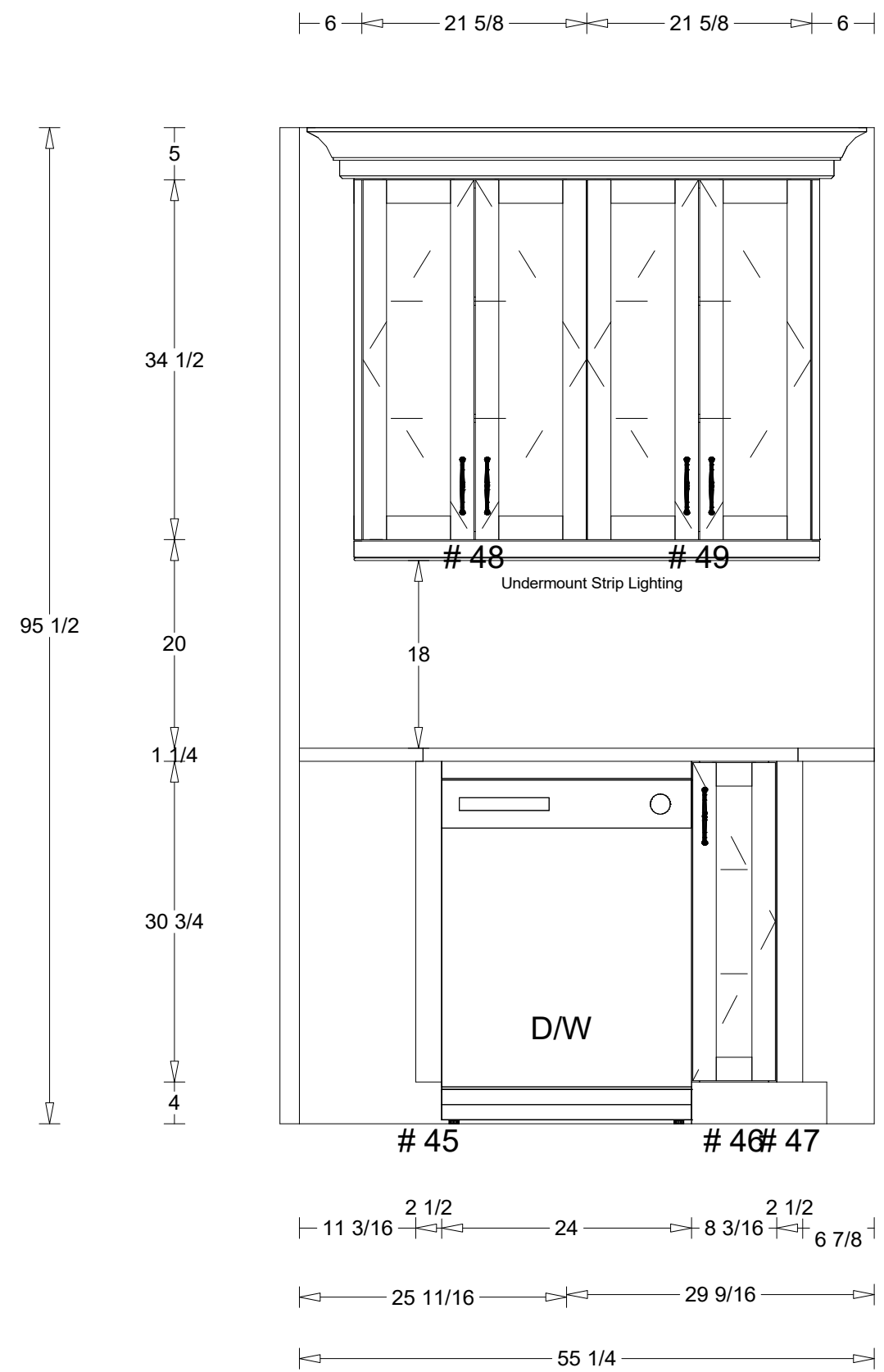
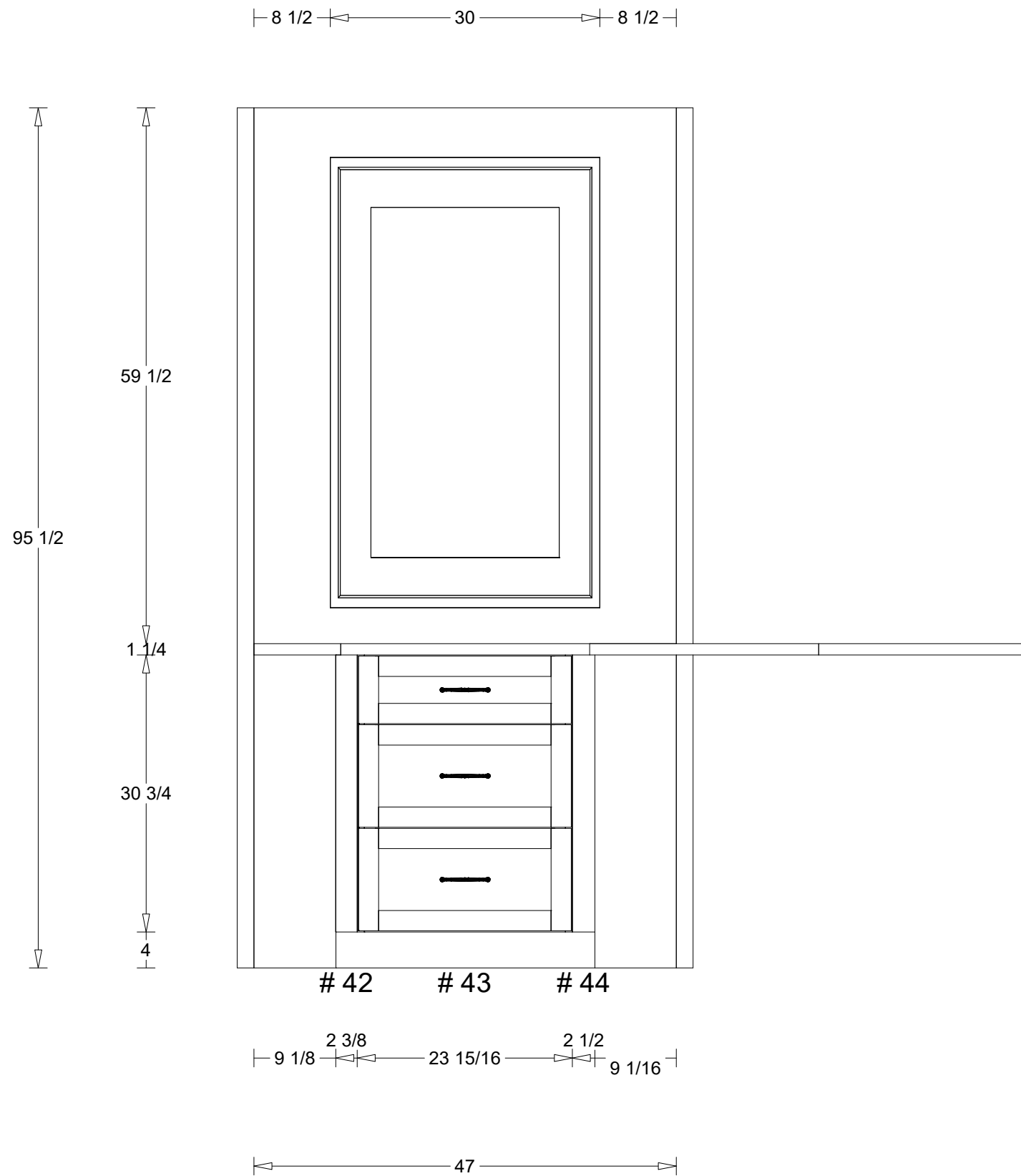
	<b>Deckert Kitchen</b>		ph#:	ph. 519-638-5961
	Job #: Room: Kitchen		Designed By: Cheyenne Martin, Derek Frey	08/14/23
	Site Contact:	ph#:	Engineer:	pg 1 of 28



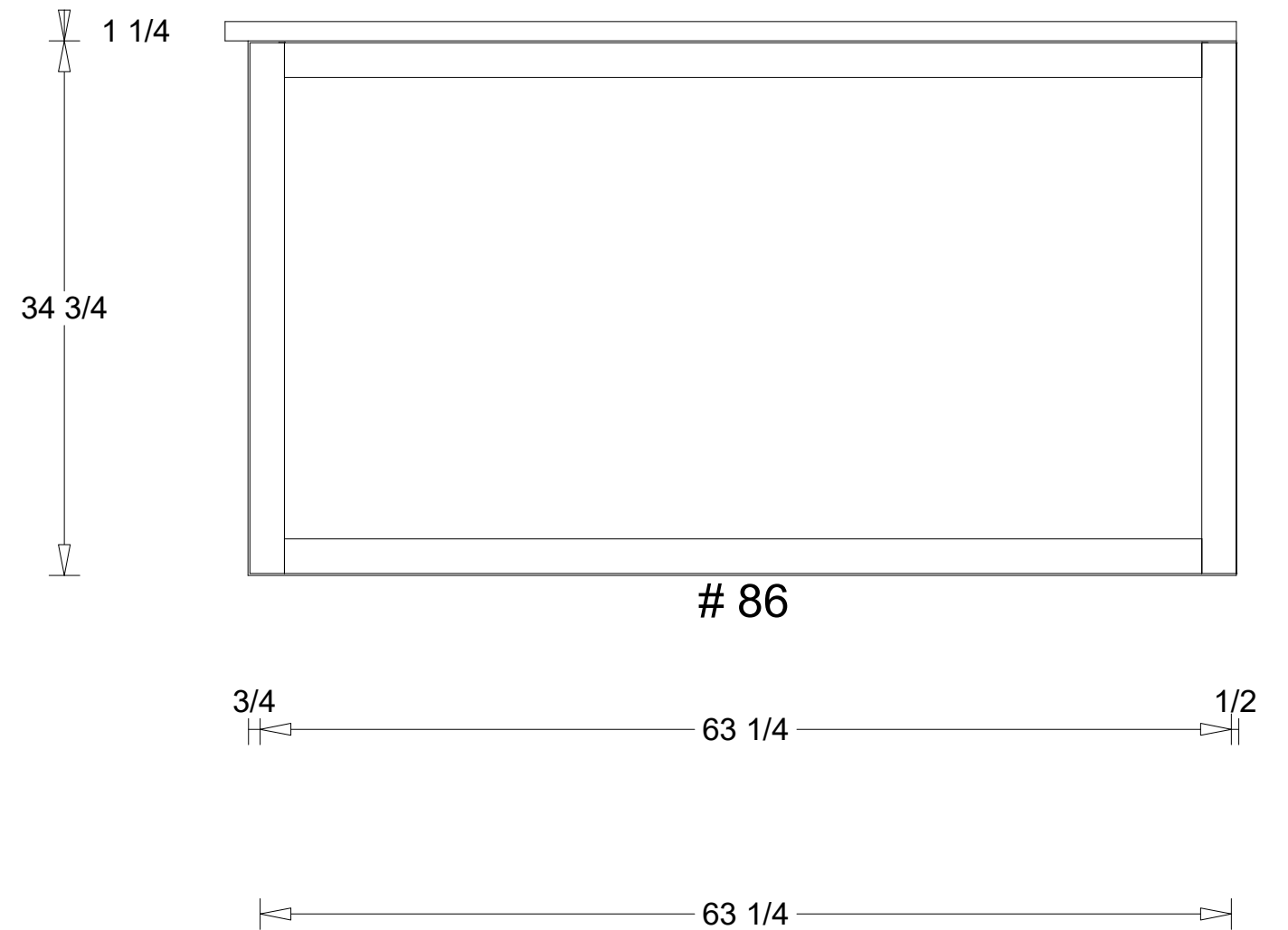
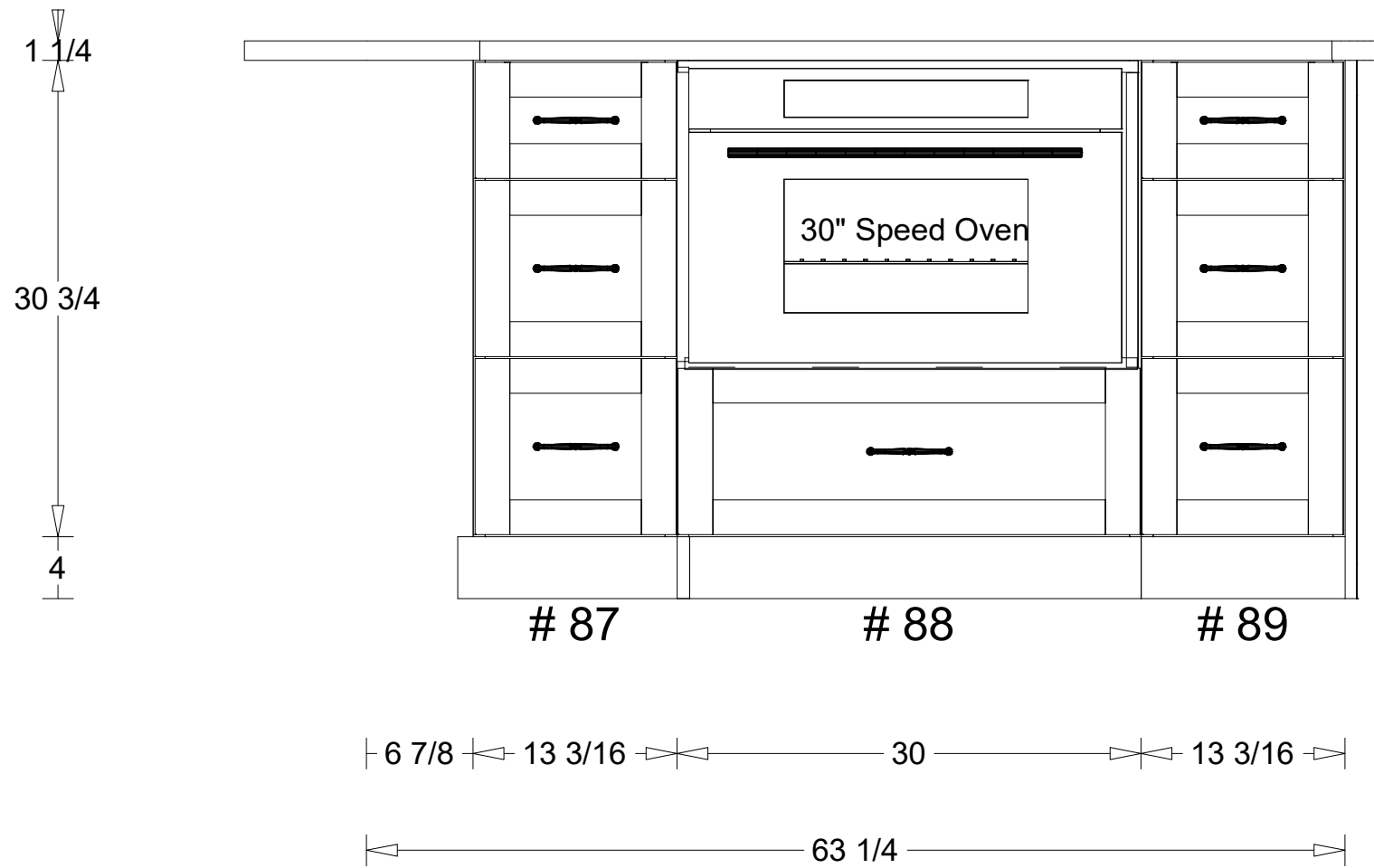
	Deckert Kitchen		ph#:	ph. 519-638-5961
	Job #: Room: Kitchen		Designed By: Cheyenne Martin, Derek Frey	08/14/23
	Site Contact:	ph#:	Engineer:	pg 2 of 28




	<b>Deckert Kitchen</b>		ph#:	ph. 519-638-5961
	Job #:			128 Wellington St. North PO Box 89 Drayton ON N0G 1P0
	Room: Kitchen		Designed By: Cheyenne Martin, Derek Frey	08/14/23
	Site Contact:	ph#:	Engineer:	pg 3 of 28

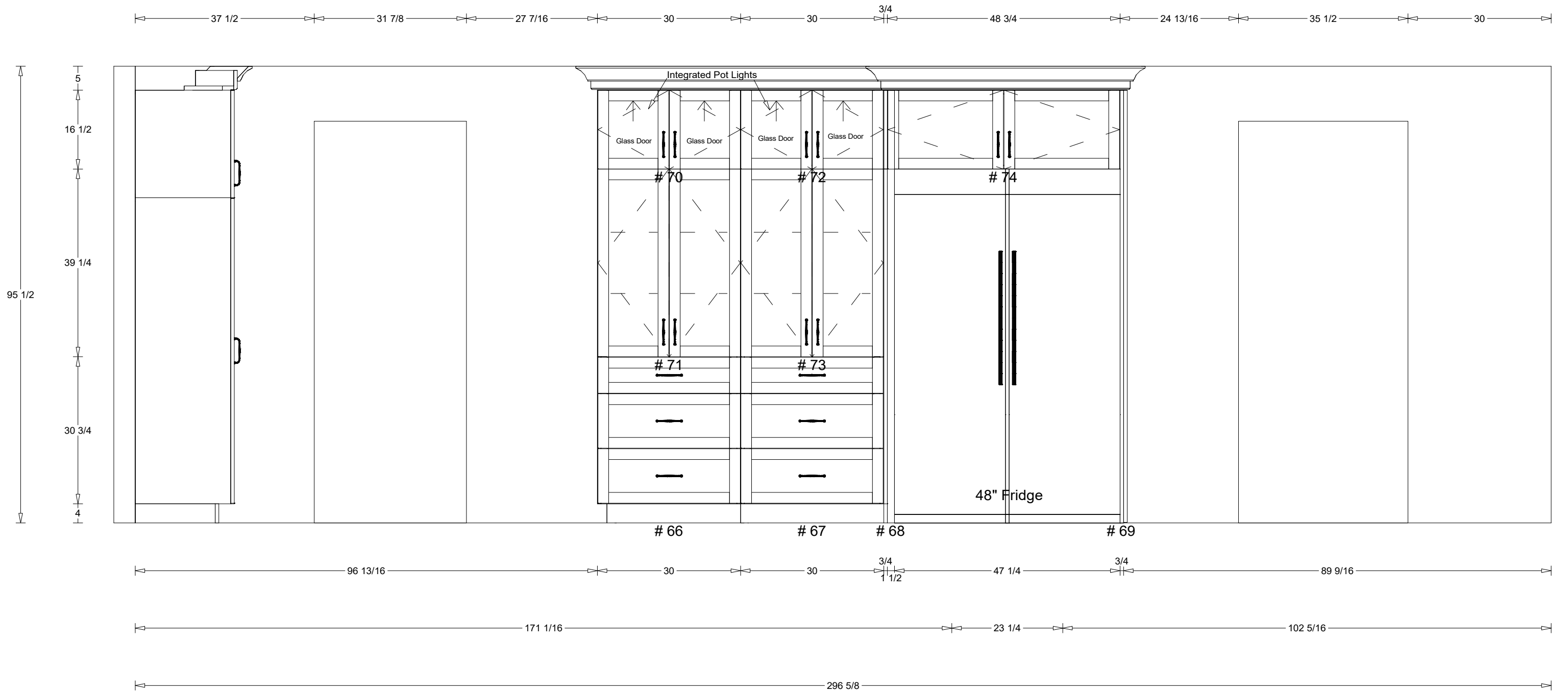


	<b>Deckert Kitchen</b>		ph#:	ph. 519-638-5961
	Job #:			128 Wellington St. North PO Box 89 Drayton ON N0G 1P0
	Room: Kitchen		Designed By: Cheyenne Martin, Derek Frey	08/14/23
	Site Contact:	ph#:	Engineer:	pg 4 of 28




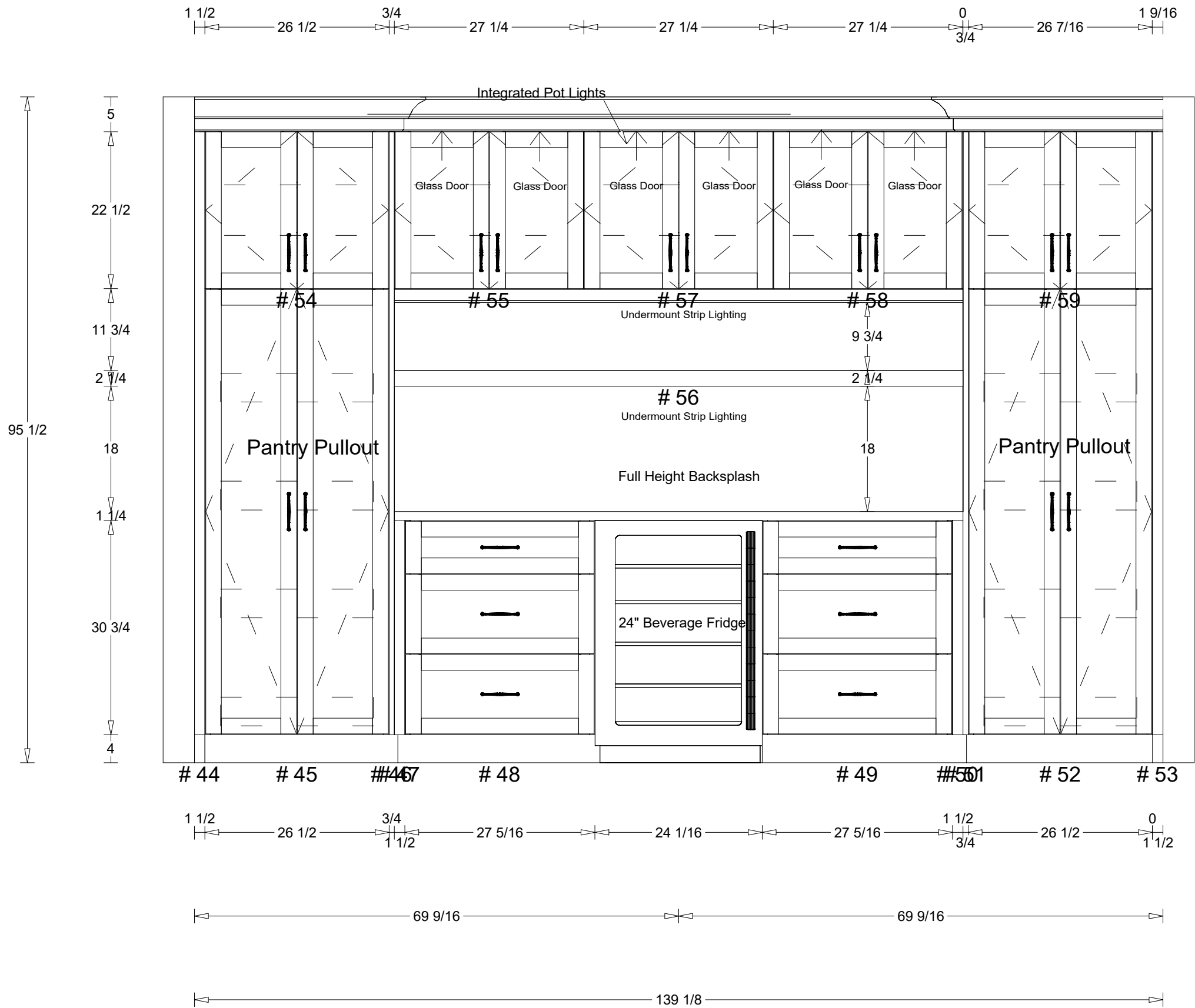
# Peninsula Front & Back Elev.

	Deckert Kitchen	ph#:	ph. 519-638-5961
	Job #: Room: Kitchen	Designed By: Cheyenne Martin, Derek Frey	08/14/23
Site Contact:	ph#:	Engineer:	pg 5 of 28




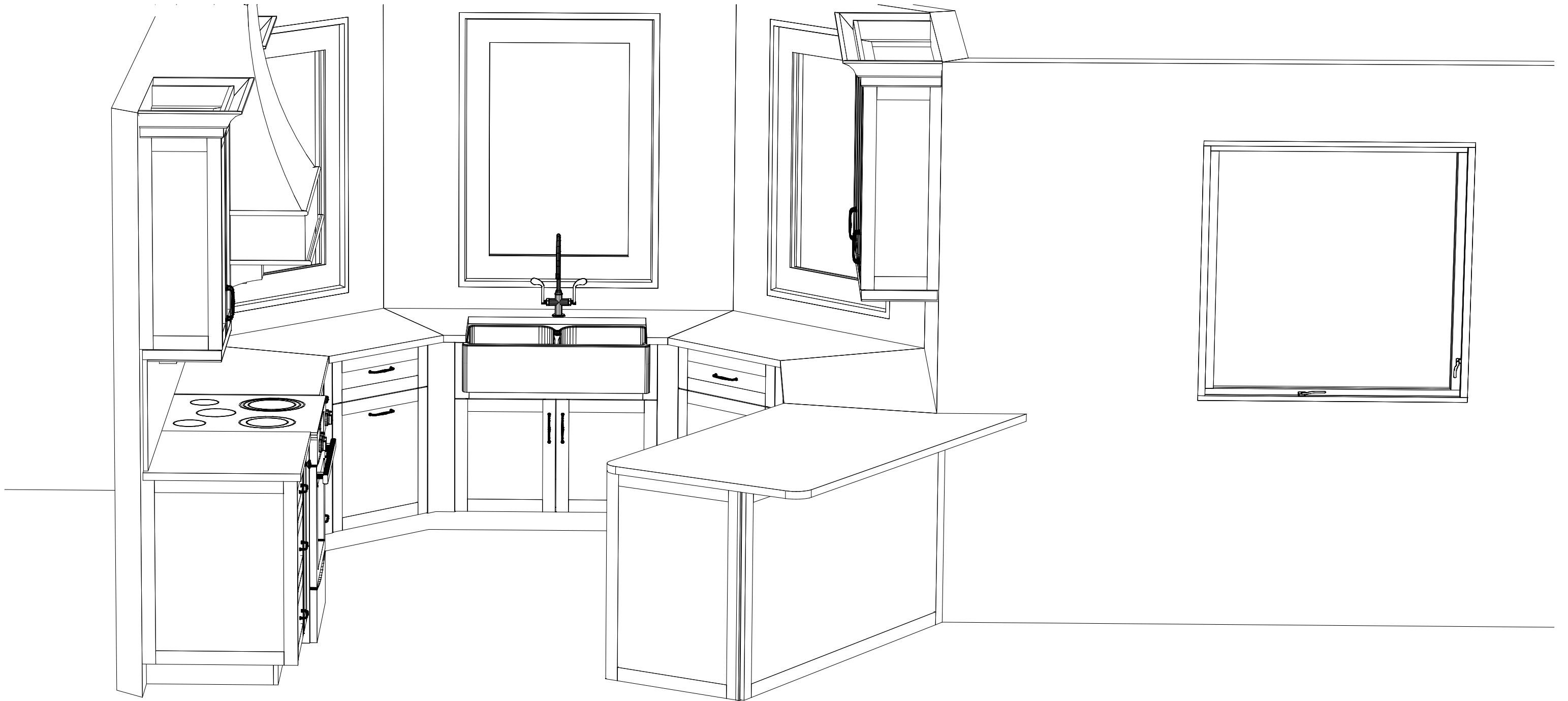
# Fridge & Speed Oven Elev.


	Deckert Kitchen		ph#:	ph. 519-638-5961
	Job #: Room: Kitchen		Designed By: Cheyenne Martin, Derek Frey	08/14/23
	Site Contact:	ph#:	Engineer:	pg 6 of 28



# Coffee Bar Elev.


	Deckert Kitchen		ph#:	ph. 519-638-5961
	Job #: Room: Kitchen		Designed By: Cheyenne Martin, Derek Frey	08/14/23
Site Contact:	ph#:		Engineer:	pg 7 of 28




	<b>Deckert Kitchen</b>		ph#:	ph. 519-638-5961
	Job #: Room: Kitchen		Designed By: Cheyenne Martin, Derek Frey	128 Wellington St. North PO Box 89 Drayton ON N0G 1P0
	Site Contact:	ph#:	Engineer:	08/14/23
				pg 8 of 28





	<b>Deckert Kitchen</b>		ph#:	ph. 519-638-5961
	Job #: Room: Kitchen		Designed By: Cheyenne Martin, Derek Frey	128 Wellington St. North PO Box 89 Drayton ON N0G 1P0
	Site Contact:	ph#:	Engineer:	08/14/23
				pg 9 of 28



	<b>Deckert Kitchen</b>		ph#:	ph. 519-638-5961
	Job #: Room: Kitchen		Designed By: Cheyenne Martin, Derek Frey	08/14/23
	Site Contact:	ph#:	Engineer:	pg 10 of 28

128 Wellington St. North  
PO Box 89  
Drayton ON N0G 1P0